



CELLULAR COMPOSITE SIDING



PRODUCT DIRECTORY

PRODUCT OFFERING CATALOG

Celect is inspired by the gorgeous aesthetics of wood yet possesses none of wood's far-from-perfect maintenance demands. This is the very best of both worlds—where you get the look, touch and timelessness of real wood without its inconveniences and expenses.

Forget about mold, mildew, deterioration, scrubbing and messy maintenance crews. While you're at it, forget about the painting, repainting, caulking, re-caulking and delaminating that fiber cement is famous for. Celect is all about virtually maintenance-free great looks that never quit. Year after year, decade after decade.

- 1. Siding**
- 3. Trim**
- 11. Water Table**
- 12. Mouldings**
- 14. Blocks & Mounts**
- 17. Accessories**
- 19. Frequently Asked Questions**

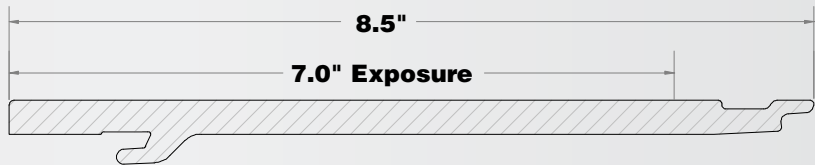
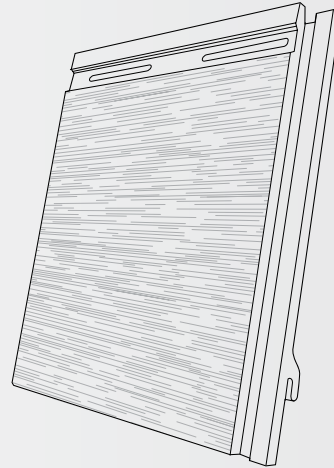
Celec Cellular Composite Siding

SIDING

7" HORIZONTAL LAP SIDING 12' 4" LENGTH, 1 SQ./CARTON	PCS PER CTN (1 SQ.)	14
	WEIGHT PER CARTON	104 LBS.
	SQUARES PER PALLET	16
	WEIGHT PER PALLET	1950 LBS.

AVAILABLE COLORS

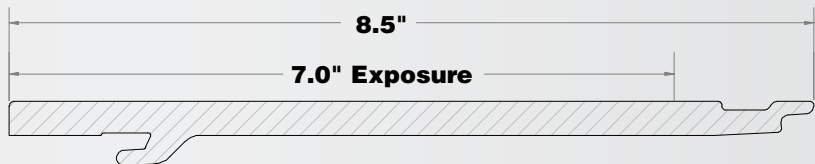
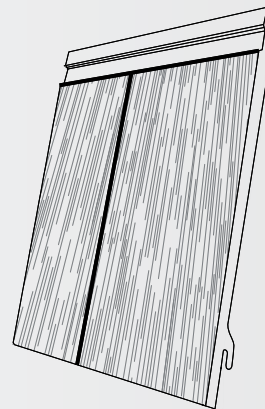
- Latte CEL7LAT
- Carriage Red CEL7CRR
- Willow CEL7WLW
- Shale CEL7SHL
- Oceana CEL7OCE
- Chocolate CEL7CHC
- Frost CEL7FST
- Pottery CEL7POT
- River Rock CEL7RRK
- Grove CEL7GRV
- Coastline CEL7COA
- Chestnut CEL7CHT
- Castle Stone CEL7CST
- Wrought Iron CEL7WRI
- Pine Brook CEL7PBK
- Unpainted CEL7NPT



7" SHAKE SIDING 49.5" LENGTH, 1/2 SQ./CARTON	PCS PER CTN (1/2 SQ.)	21
	WEIGHT PER CARTON	55 LBS.
	SQUARES PER PALLET	6
	WEIGHT PER PALLET	1450 LBS.

AVAILABLE COLORS

- Latte CELSHK7LAT
- Carriage Red CELSHK7CRR
- Willow CELSHK7WLW
- Shale CELSHK7SHL
- Oceana CELSHK7OCE
- Chocolate CELSHK7CHC
- Frost CELSHK7FST
- Pottery CELSHK7POT
- River Rock CELSHK7RRK
- Grove CELSHK7GRV
- Coastline CELSHK7COA
- Chestnut CELSHK7CHT
- Castle Stone CELSHK7CST
- Wrought Iron CELSHK7WRI
- Pine Brook CELSHK7PBK
- Unpainted CELSHKNPT



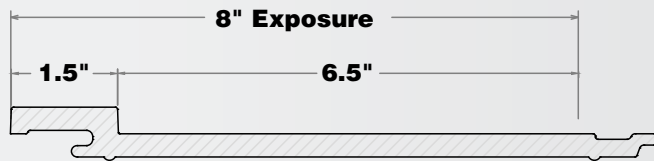
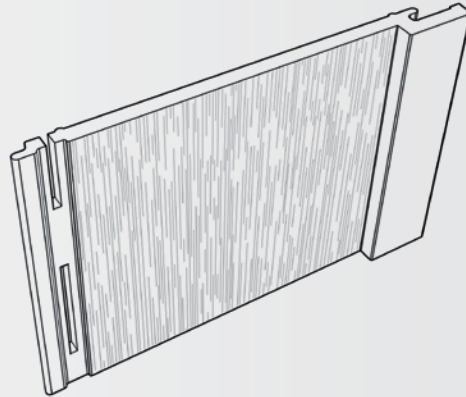
Select Cellular Composite Siding

SIDING

8" BOARD & BATTEN SIDING 10' LENGTH, 1 SQ./CARTON	PCS PER CTN (1 SQ.)	15
	WEIGHT PER CARTON	100 LBS.
	SQUARES PER PALLET	12
	WEIGHT PER PALLET	1,400 LBS.

AVAILABLE COLORS

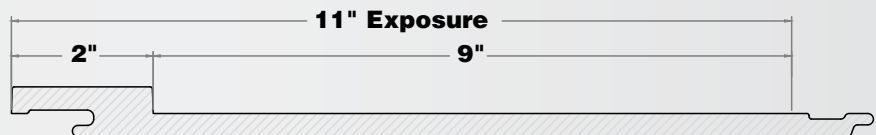
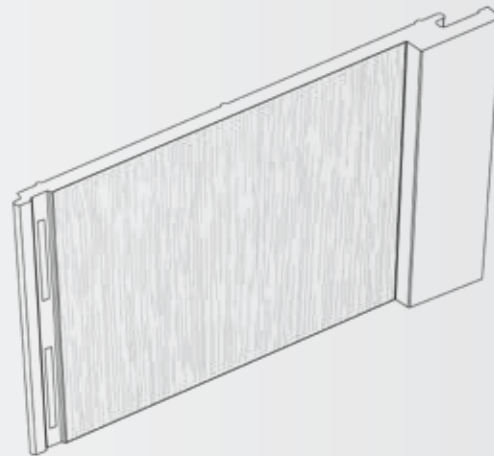
- Latte CELBB8LAT
- Carriage Red CELBB8CCR
- Willow CELBB8WLW
- Shale CELBB8SHL
- Oceana CELBB8OCE
- Chocolate CELBB8CHC
- Frost CELBB8FST
- Pottery CELBB8POT
- River Rock CELBB8RRK
- Grove CELBB8GRV
- Coastline CELBB8COA
- Chestnut CELBB8CHT
- Castle Stone CELBB8CST
- Wrought Iron CELBB8WRI
- Pine Brook CELBB8PBK
- Unpainted CELBBNPT



11" BOARD & BATTEN SIDING 10' LENGTH, 1 SQ./CARTON	PCS PER CTN (1 SQ.)	11
	WEIGHT PER CARTON	102 LBS.
	SQUARES PER PALLET	12
	WEIGHT PER PALLET	1,424 LBS.

AVAILABLE COLORS

- Latte CELBB11LAT
- Carriage Red CELBB11CCR
- Willow CELBB11WLW
- Shale CELBB11SHL
- Oceana CELBB11OCE
- Chocolate CELBB11CHC
- Frost CELBB11FST
- Pottery CELBB11POT
- River Rock CELBB11RRK
- Grove CELBB11GRV
- Coastline CELBB11COA
- Chestnut CELBB11CHT
- Castle Stone CELBB11CST
- Wrought Iron CELBB11WRI
- Pine Brook CELBB11PBK
- Unpainted CELBB11NPT



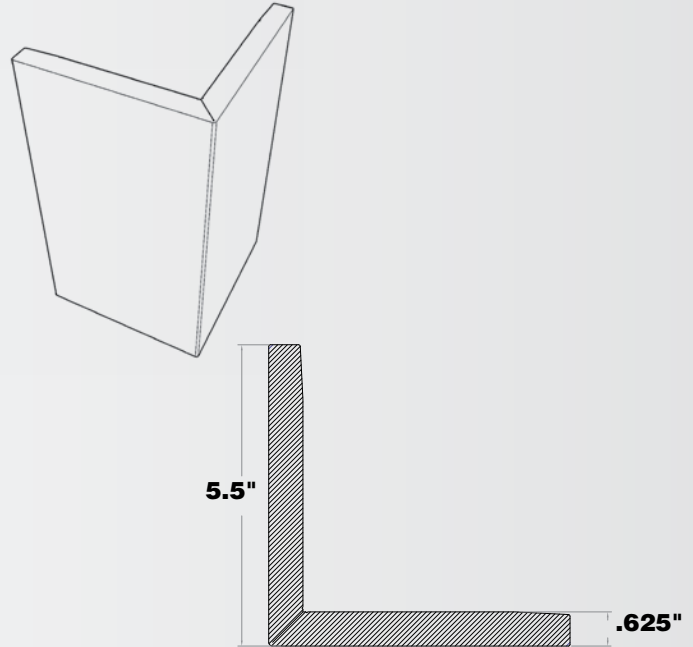
Select Cellular Composite Siding

TRIM

OUTSIDE CORNER POST KIT OCP 10' L INCLUDES 4 - 9' 3" L FURRING STRIPS	9713	PCS PER BUNDLE	2
		WEIGHT PER BUNDLE	40 LBS.
		BUNDLES PER PALLET	25
		WEIGHT PER PALLET	1,400 LBS.

AVAILABLE COLORS

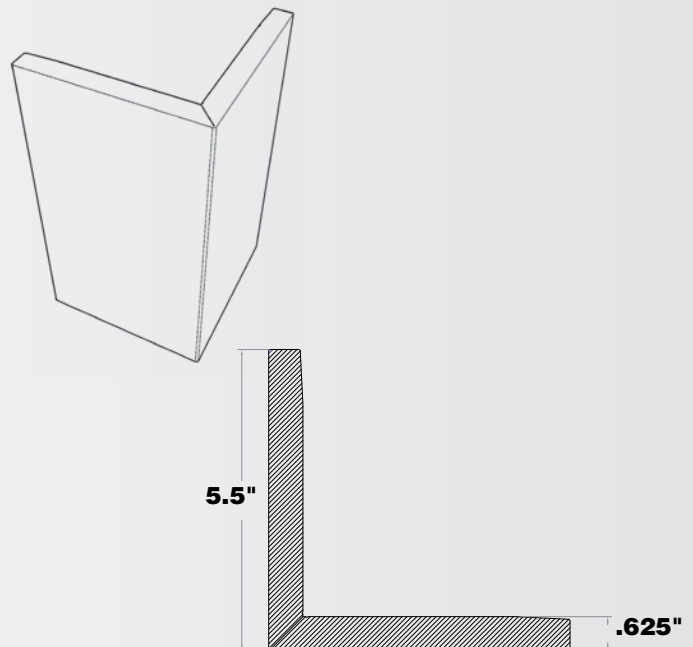
- Latte COC1PSTD10KITLAT
- Carriage Red COC1PSTD10KITCRR
- Willow COC1PSTD10KITWLW
- Shale COC1PSTD10KITSHL
- Oceana COC1PSTD10KITOCE
- Chocolate COC1PSTD10KITCHC
- Frost COC1PSTD10KITFST
- Pottery COC1PSTD10KITPOT
- River Rock COC1PSTD10KITRRK
- Grove COC1PSTD10KITGRV
- Coastline COC1PSTD10KITCOA
- Chestnut COC1PSTD10KITCHT
- Castle Stone COC1PSTD10KITCST
- Wrought Iron COC1PSTD10KITWRI
- Pine Brook COC1PSTD10KITPBK



OUTSIDE CORNER POST KIT OCP 20' L INCLUDES 8 - 9' 3" L FURRING STRIPS	9713	PCS PER BUNDLE	2
		WEIGHT PER BUNDLE	80 LBS.
		BUNDLES PER PALLET	25
		WEIGHT PER PALLET	2,100 LBS.

AVAILABLE COLORS

- Latte COC1PSTD20KITLAT
- Carriage Red COC1PSTD20KITCRR
- Willow COC1PSTD20KITWLW
- Shale COC1PSTD20KITSHL
- Oceana COC1PSTD20KITOCE
- Chocolate COC1PSTD20KITCHC
- Frost COC1PSTD20KITFST
- Pottery COC1PSTD20KITPOT
- River Rock COC1PSTD20KITRRK
- Grove COC1PSTD20KITGRV
- Coastline COC1PSTD20KITCOA
- Chestnut COC1PSTD20KITCHT
- Castle Stone COC1PSTD20KITCST
- Wrought Iron COC1PSTD20KITWRI
- Pine Brook COC1PSTD20KITPBK



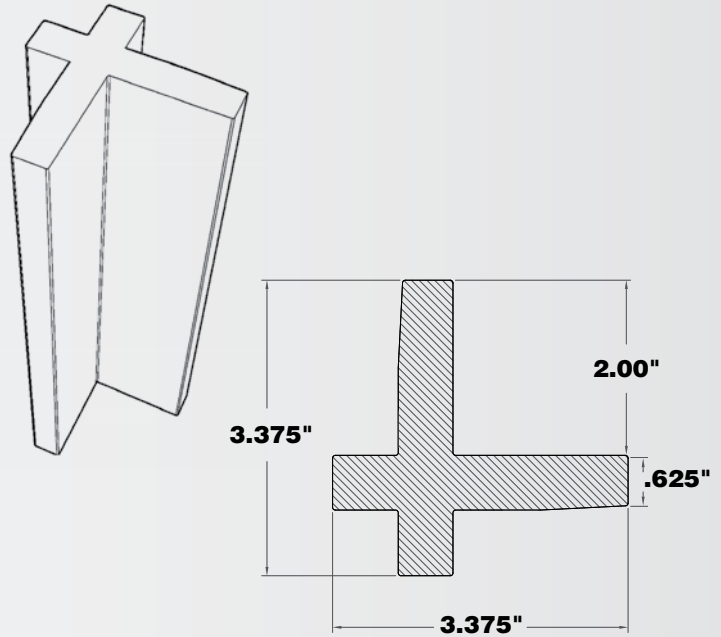
Select Cellular Composite Siding

TRIM

INSIDE CORNER POST ICP 10' L	9712	PCS PER BUNDLE	2
		WEIGHT PER BUNDLE	20 LBS.
		BUNDLES PER PALLET	28

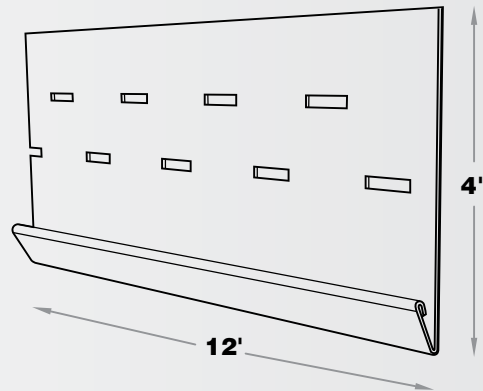
AVAILABLE COLORS

- Latte CIC1PSTD10LAT
- Carriage Red CIC1PSTD10CRR
- Willow CIC1PSTD10WLW
- Shale CIC1PSTD10SHL
- Oceana CIC1PSTD10OCE
- Chocolate CIC1PSTD10CHC
- Frost CIC1PSTD10FST
- Pottery CIC1PSTD10POT
- River Rock CIC1PSTD10RRK
- Grove CIC1PSTD10GRV
- Coastline CIC1PSTD10COA
- Chestnut CIC1PSTD10CHT
- Castle Stone CIC1PSTD10CST
- Wrought Iron CIC1PSTD10WRI
- Pine Brook CIC1PSTD10PBK



STARTER STRIP 12' L	PCS/CARTON	24
	LBS/CARTON	30 LBS.

CELSS01



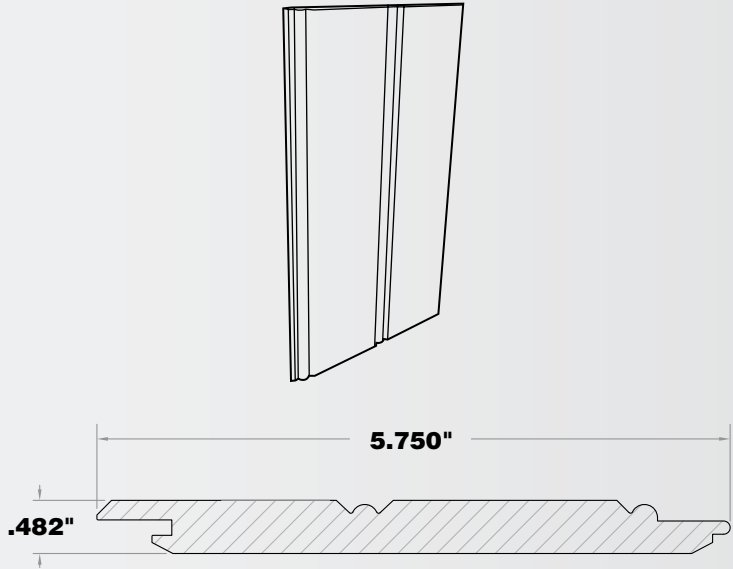
CELECT Cellular Composite Siding

TRIM

BEAD BOARD, 16' L	9734	PCS PER BUNDLE	2
		WEIGHT PER BUNDLE	22 LBS.
		BUNDLES PER PALLET	72

AVAILABLE COLORS

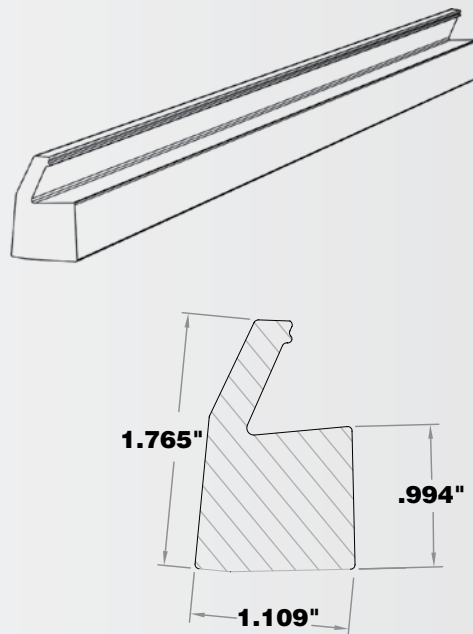
- Latte CELBDBD16-2LAT
- Carriage Red CELBDBD16-2CCR
- Willow CELBDBD16-2WLW
- Shale CELBDBD16-2SHL
- Oceana CELBDBD16-2OCE
- Chocolate CELBDBD16-2CHC
- Frost CELBDBD16-2FST
- Pottery CELBDBD16-2POT
- River Rock CELBDBD16-2RRK
- Grove CELBDBD16-2GRV
- Coastline CELBDBD16-2COA
- Chestnut CELBDBD16-2CHT
- Castle Stone CELBDBD16-2CST
- Wrought Iron CELBDBD16-2WRI
- Pine Brook CELBDBD16-2PBK



CELECT FINISH TRIM, 16' L	9732	PCS PER BUNDLE	2
		WEIGHT PER BUNDLE	11 LBS.
		BUNDLES PER PALLET	96

AVAILABLE COLORS

- Latte CELFT16LAT
- Carriage Red CELFT16CRR
- Willow CELFT16WLW
- Shale CELFT16SHL
- Oceana CELFT16OCE
- Chocolate CELFT16CHC
- Frost CELFT16FST
- Pottery CELFT16POT
- River Rock CELFT16RRK
- Grove CELFT16GRV
- Coastline CELFT16COA
- Chestnut CELFT16CHT
- Castle Stone CELFT16CST
- Wrought Iron CELFT16WRI
- Pine Brook CELFT16PBK



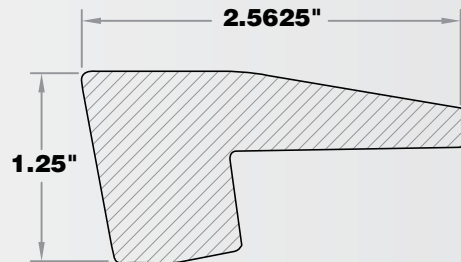
Select Cellular Composite Siding

TRIM

GABLE TRIM 16' L	9790	PCS PER BUNDLE	2
		WEIGHT PER BUNDLE	14 LBS.
		BUNDLES PER PALLET	71

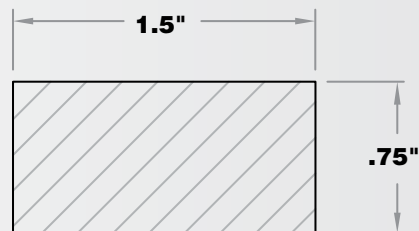
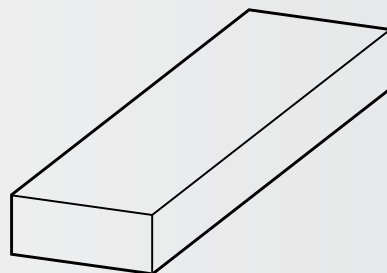
AVAILABLE COLORS

- Latte CELGT16LAT
- Carriage Red CELGT16CRR
- Willow CELGT16WLW
- Shale CELGT16SHL
- Oceana CELGT16OCE
- Chocolate CELGT16CHC
- Frost CELGT16FST
- Pottery CELGT16POT
- River Rock CELGT16RRK
- Grove CELGT16GRV
- Coastline CELGT16COA
- Chestnut CELGT16CHT
- Castle Stone CELGT16CST
- Wrought Iron CELGT16WRI
- Pine Brook CELGT16PBK



UNPAINTED FURRING STRIP S4S 1" X 2", 16' L	PCS PER BUNDLE	2
	WEIGHT PER BUNDLE	9 LBS.
	BUNDLES PER PALLET	210

Unpainted CELS4S1216UNP



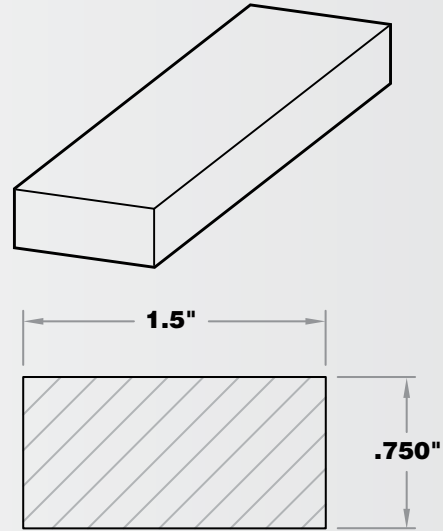
Celec Cellular Composite Siding

TRIM

S4S TRIMBOARD S4S 1" X 2", 16' L	PCS PER BUNDLE	2
	WEIGHT PER BUNDLE	9 LBS.
	BUNDLES PER PALLET	210

AVAILABLE COLORS

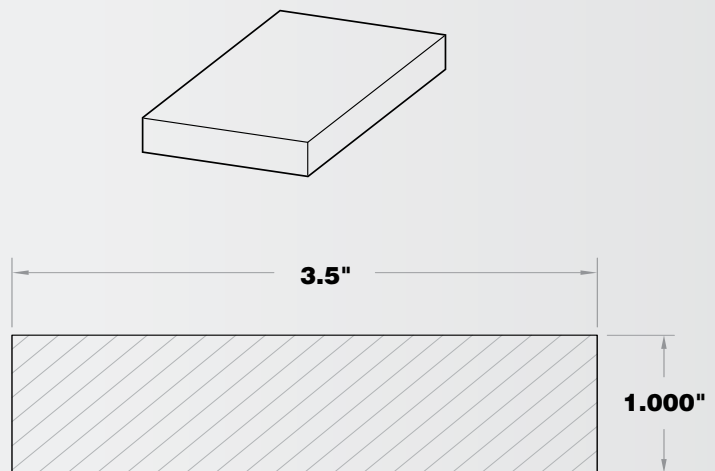
- Latte CELS4S1216LAT
- Carriage Red CELS4S1216CCR
- Willow CELS4S1216WLW
- Shale CELS4S1216SHL
- Oceana CELS4S1216OCE
- Chocolate CELS4S1216CHC
- Frost CELS4S1216FST
- Pottery CELS4S1216POT
- River Rock CELS4S1216RRK
- Grove CELS4S1216GRV
- Coastline CELS4S1216COA
- Chestnut CELS4S1216CHT
- Castle Stone CELS4S1216CST
- Wrought Iron CELS4S1216WRI
- Pine Brook CELS4S1216PBK



S4S TRIMBOARD S4S 5/4" X 4", 16' L	PCS PER BUNDLE	2
	WEIGHT PER BUNDLE	28 LBS.
	BUNDLES PER PALLET	66

AVAILABLE COLORS

- Latte CELS4S54416LAT
- Carriage Red CELS4S54416CRR
- Willow CELS4S54416WLW
- Shale CELS4S54416SHL
- Oceana CELS4S54416OCE
- Chocolate CELS4S54416CHC
- Frost CELS4S54416FST
- Pottery CELS4S54416POT
- River Rock CELS4S54416RRK
- Grove CELS4S54416GRV
- Coastline CELS4S54416COA
- Chestnut CELS4S54416CHT
- Castle Stone CELS4S54416CST
- Wrought Iron CELS4S54416WRI
- Pine Brook CELS4S54416PBK



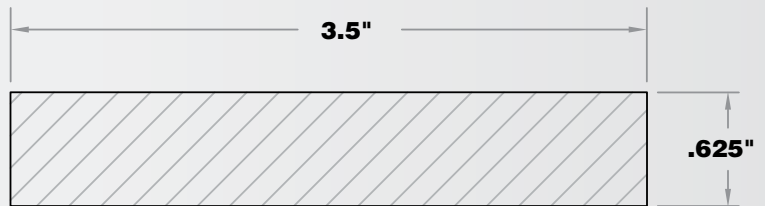
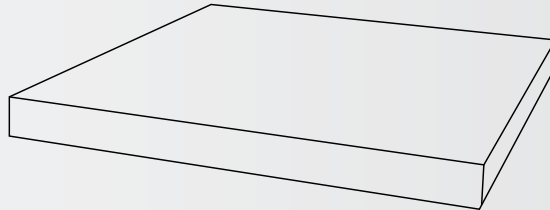
Celect Cellular Composite Siding

TRIM

S4S TRIMBOARD S4S 5/8" X 4", 16' L	PCS PER BUNDLE	2
	WEIGHT PER BUNDLE	16 LBS.
	BUNDLES PER PALLET	120

AVAILABLE COLORS

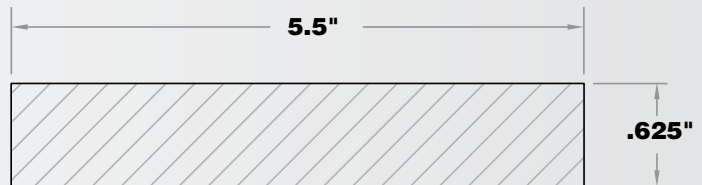
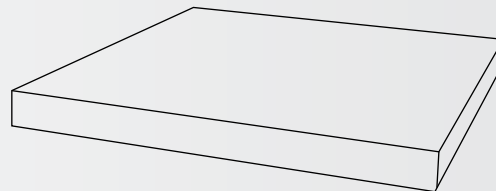
- Latte CELS4S58416LAT
- Carriage Red CELS4S58416CRR
- Willow CELS4S58416WLW
- Shale CELS4S58416SHL
- Oceana CELS4S58416OCE
- Chocolate CELS4S58416CHC
- Frost CELS4S58416FST
- Pottery CELS4S58416POT
- River Rock CELS4S58416RRK
- Grove CELS4S58416GRV
- Coastline CELS4S58416COA
- Chestnut CELS4S58416CHT
- Castle Stone CELS4S58416CST
- Wrought Iron CELS4S58416WRI
- Pine Brook CELS4S58416PBK



S4S TRIMBOARD S4S 5/8" X 6", 16' L	PCS PER BUNDLE	2
	WEIGHT PER BUNDLE	27 LBS.
	BUNDLES PER PALLET	80

AVAILABLE COLORS

- Latte CELS4S58616LAT
- Carriage Red CELS4S58616CRR
- Willow CELS4S58616WLW
- Shale CELS4S58616SHL
- Oceana CELS4S58616OCE
- Chocolate CELS4S58616CHC
- Frost CELS4S58616FST
- Pottery CELS4S58616POT
- River Rock CELS4S58616RRK
- Grove CELS4S58616GRV
- Coastline CELS4S58616COA
- Chestnut CELS4S58616CHT
- Castle Stone CELS4S58616CST
- Wrought Iron CELS4S58616WRI
- Pine Brook CELS4S58616PBK



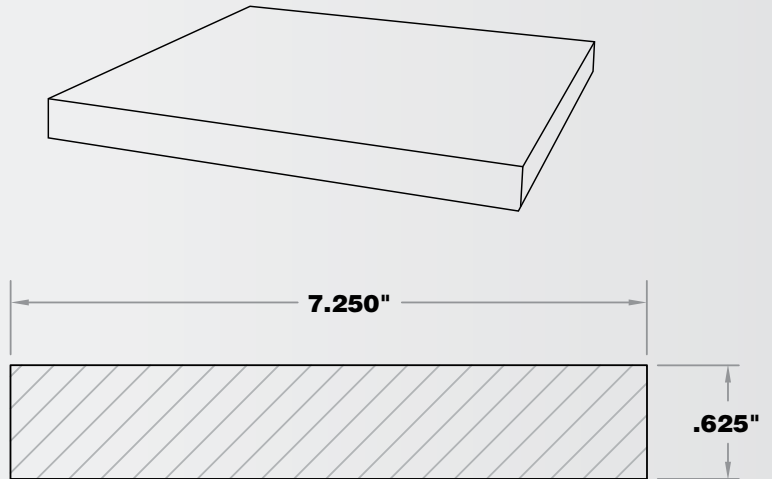
Select Cellular Composite Siding

TRIM

S4S TRIMBOARD S4S 5/8" X 8", 16' L	PCS PER BUNDLE	2
	WEIGHT PER BUNDLE	36 LBS.
	BUNDLES PER PALLET	60

AVAILABLE COLORS

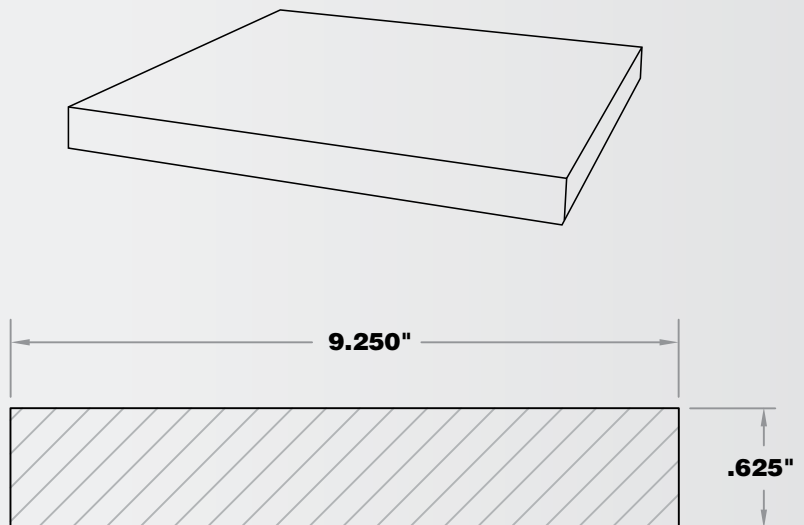
- Latte CELS4S58816LAT
- Carriage Red CELS4S58816CRR
- Willow CELS4S58816WLW
- Shale CELS4S58816SHL
- Oceana CELS4S58816OCE
- Chocolate CELS4S58816CHC
- Frost CELS4S58816FST
- Pottery CELS4S58816POT
- River Rock CELS4S58816RRK
- Grove CELS4S58816GRV
- Coastline CELS4S58816COA
- Chestnut CELS4S58816CHT
- Castle Stone CELS4S58816CST
- Wrought Iron CELS4S58816WRI
- Pine Brook CELS4S58816PBK



S4S TRIMBOARD S4S 5/8" X 10", 16' L	PCS PER BUNDLE	2
	WEIGHT PER BUNDLE	46 LBS.
	BUNDLES PER PALLET	40

AVAILABLE COLORS

- Latte CELS4S581016LAT
- Carriage Red CELS4S581016CRR
- Willow CELS4S581016WLW
- Shale CELS4S581016SHL
- Oceana CELS4S581016OCE
- Chocolate CELS4S581016CHC
- Frost CELS4S581016FST
- Pottery CELS4S581016POT
- River Rock CELS4S581016RRK
- Grove CELS4S581016GRV
- Coastline CELS4S581016COA
- Chestnut CELS4S581016CHT
- Castle Stone CELS4S581016CST
- Wrought Iron CELS4S581016WRI
- Pine Brook CELS4S581016PBK



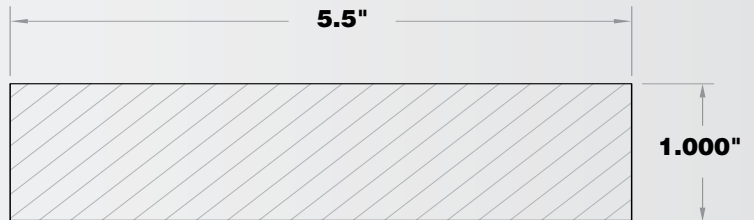
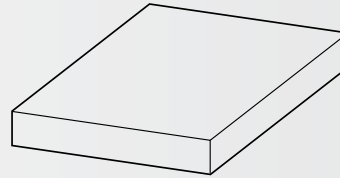
Celect Cellular Composite Siding

TRIM

S4S TRIMBOARD S4S 5/4" X 6", 16' L	PCS PER BUNDLE	2
	WEIGHT PER BUNDLE	44 LBS.
	BUNDLES PER PALLET	40

AVAILABLE COLORS

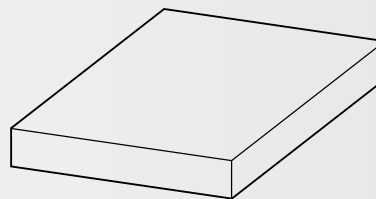
- Latte CELS4S54616LAT
- Carriage Red CELS4S54616CCR
- Willow CELS4S54616WLW
- Shale CELS4S54616SHL
- Oceana CELS4S54616OCE
- Chocolate CELS4S54616CHC
- Frost CELS4S54616FST
- Pottery CELS4S54616POT
- River Rock CELS4S54616RRK
- Grove CELS4S54616GRV
- Coastline CELS4S54616COA
- Chestnut CELS4S54616CHT
- Castle Stone CELS4S54616CST
- Wrought Iron CELS4S54616WRI
- Pine Brook CELS4S54616PBK



S4S TRIMBOARD S4S 5/4" X 8", 16' L	PCS PER BUNDLE	2
	WEIGHT PER BUNDLE	57 LBS.
	BUNDLES PER PALLET	30

AVAILABLE COLORS

- Latte CELS4S54816LAT
- Carriage Red CELS4S54816CCR
- Willow CELS4S54816WLW
- Shale CELS4S54816SHL
- Oceana CELS4S54816OCE
- Chocolate CELS4S54816CHC
- Frost CELS4S54816FST
- Pottery CELS4S54816POT
- River Rock CELS4S54816RRK
- Grove CELS4S54816GRV
- Coastline CELS4S54816COA
- Chestnut CELS4S54816CHT
- Castle Stone CELS4S54816CST
- Wrought Iron CELS4S54816WRI
- Pine Brook CELS4S54816PBK



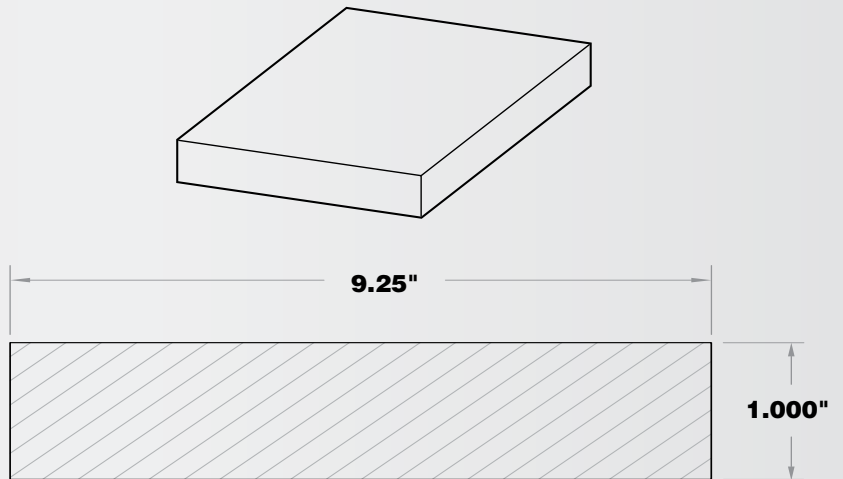
Select Cellular Composite Siding

TRIM

S4S TRIMBOARD S4S 5/4" X 10", 16' L	PCS PER BUNDLE	2
	WEIGHT PER BUNDLE	73 LBS.
	BUNDLES PER PALLET	24

AVAILABLE COLORS

Latte CELS4S54016LAT
 Carriage Red CELS4S54016CRR
 Willow CELS4S54016WLW
 Shale CELS4S54016SHL
 Oceana CELS4S54016OCE
 Chocolate CELS4S54016CHC
 Frost CELS4S54016FST
 Pottery CELS4S54016POT
 River Rock CELS4S54016RRK
 Grove CELS4S54016GRV
 Coastline CELS4S54016COA
 Chestnut CELS4S54016CHT
 Castle Stone CELS4S54016CST
 Wrought Iron CELS4S54016WRI
 Pine Brook CELS4S54016PBK

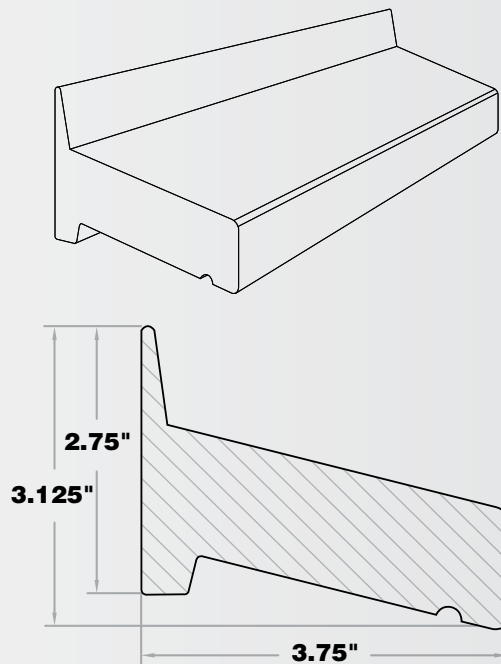


WATER TABLE

STONE WATER TABLE 16' L	9719	PCS PER BUNDLE	2
		WEIGHT PER BUNDLE	36 LBS.
		BUNDLES PER PALLET	72

AVAILABLE COLORS

Latte CELSTWTLAT
 Carriage Red CELSTWTCRR
 Willow CELSTWTWLW
 Shale CELSTWTSHL
 Oceana CELSTWTOCE
 Chocolate CELSTWTCHC
 Frost CELSTWTFST
 Pottery CELSTWTPOT
 River Rock CELSTWTRRK
 Grove CELSTWTGRV
 Coastline CELSTWTCOA
 Chestnut CELSTWTCHT
 Castle Stone CELSTWTCST
 Wrought Iron CELSTWTWRI
 Pine Brook CELSTWTPBK



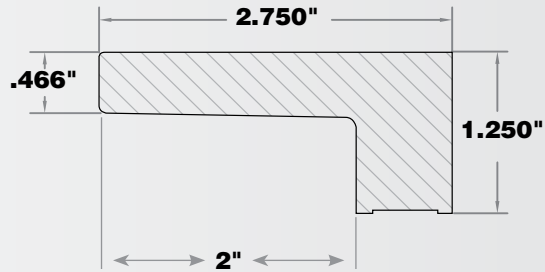
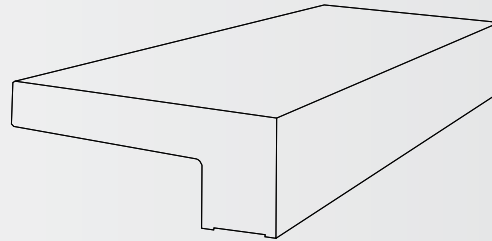
Celect Cellular Composite Siding

MOULDINGS

WINDOW TRIM 16' L	9821	PCS PER BUNDLE	2
		WEIGHT PER BUNDLE	14 LBS.
		BUNDLES PER PALLET	74

AVAILABLE COLORS

Latte CELWNTR16LAT
 Carriage Red CELWNTR16CRR
 Willow CELWNTR16WLW
 Shale CELWNTR16SHL
 Oceana CELWNTR16OCE
 Chocolate CELWNTR16CHC
 Frost CELWNTR16FST
 Pottery CELWNTR16POT
 River Rock CELWNTR16RRK
 Grove CELWNTR16GRV
 Coastline CELWNTR16COA
 Chestnut CELWNTR16CHT
 Castle Stone CELWNTR16CST
 Wrought Iron CELWNTR16WRI
 Pine Brook CELWNTR16PBK

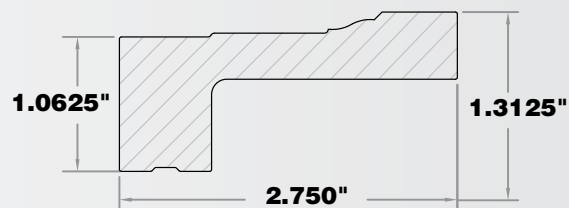
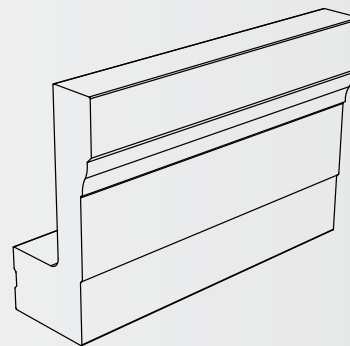


This window trim is designed for retro-fit purposes, and should only be used for retro-fit over existing wood jambs. Due to the specific dimensions of the part, it is not suitable for many newer constructions.

BRICK MOULD 16' L	9797	PCS PER BUNDLE	2
		WEIGHT PER BUNDLE	13.5 LBS.
		BUNDLES PER PALLET	74

AVAILABLE COLORS

Latte CELBRCK16LAT
 Carriage Red CELBRCK16CRR
 Willow CELBRCK16WLW
 Shale CELBRCK16SHL
 Oceana CELBRCK16OCE
 Chocolate CELBRCK16CHC
 Frost CELBRCK16FST
 Pottery CELBRCK16POT
 River Rock CELBRCK16RRK
 Grove CELBRCK16GRV
 Coastline CELBRCK16COA
 Chestnut CELBRCK16CHT
 Castle Stone CELBRCK16CST
 Wrought Iron CELBRCK16WRI
 Pine Brook CELBRCK16PBK



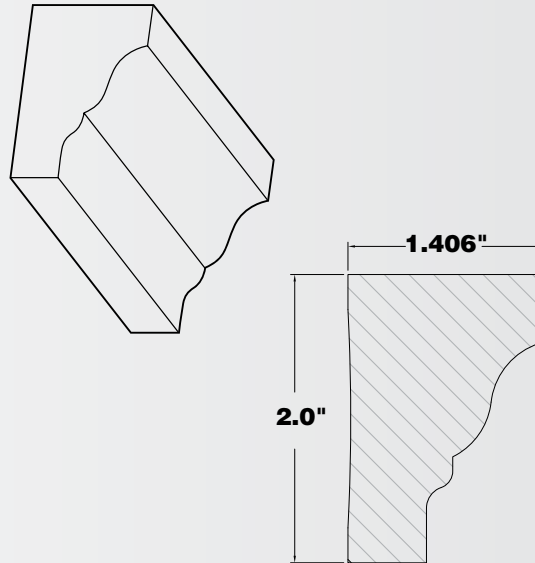
Celect Cellular Composite Siding

MOULDINGS

RAMS CROWN, 16' L	7158	PCS PER BUNDLE	2
		WEIGHT PER BUNDLE	15.5 LBS.
		BUNDLES PER PALLET	60

AVAILABLE COLORS

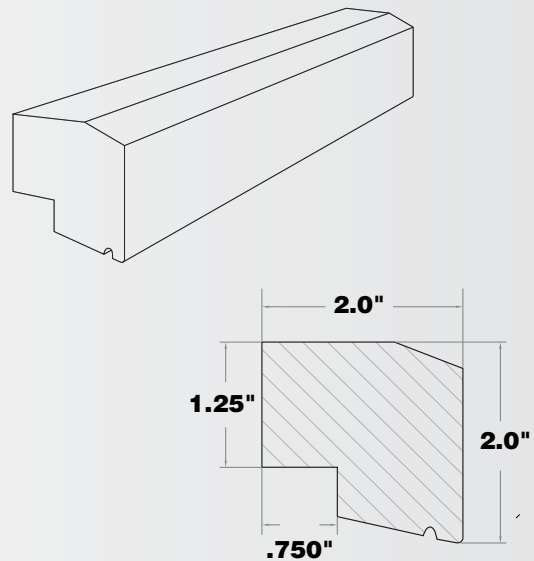
- Latte CELRMSCRN16-2LAT
- Carriage Red CELRMSCRN16-2CCR
- Willow CELRMSCRN16-2WLW
- Shale CELRMSCRN16-2SHL
- Oceana CELRMSCRN16-2OCE
- Chocolate CELRMSCRN16-2CHC
- Frost CELRMSCRN16-2FST
- Pottery CELRMSCRN16-2POT
- River Rock CELRMSCRN16-2RRK
- Grove CELRMSCRN16-2GRV
- Coastline CELRMSCRN16-2COA
- Chestnut CELRMSCRN16-2CHT
- Castle Stone CELRMSCRN16-2CST
- Wrought Iron CELRMSCRN16-2WRI
- Pine Brook CELRMSCRN16-2PBK



SILL NOSE 2" X 2"	9822	PCS PER BUNDLE	2
		WEIGHT PER BUNDLE	21 LBS.
		BUNDLES PER PALLET	50

AVAILABLE COLORS

- Latte CELSILL16LAT
- Carriage Red CELSILL16CCR
- Willow CELSILL16WLW
- Shale CELSILL16SHL
- Oceana CELSILL16OCE
- Chocolate CELSILL16CHC
- Frost CELSILL16FST
- Pottery CELSILL16POT
- River Rock CELSILL16RRK
- Grove CELSILL16GRV
- Coastline CELSILL16COA
- Chestnut CELSILL16CHT
- Castle Stone CELSILL16CST
- Wrought Iron CELSILL16WRI
- Pine Brook CELSILL16PBK



Celect Cellular Composite Siding

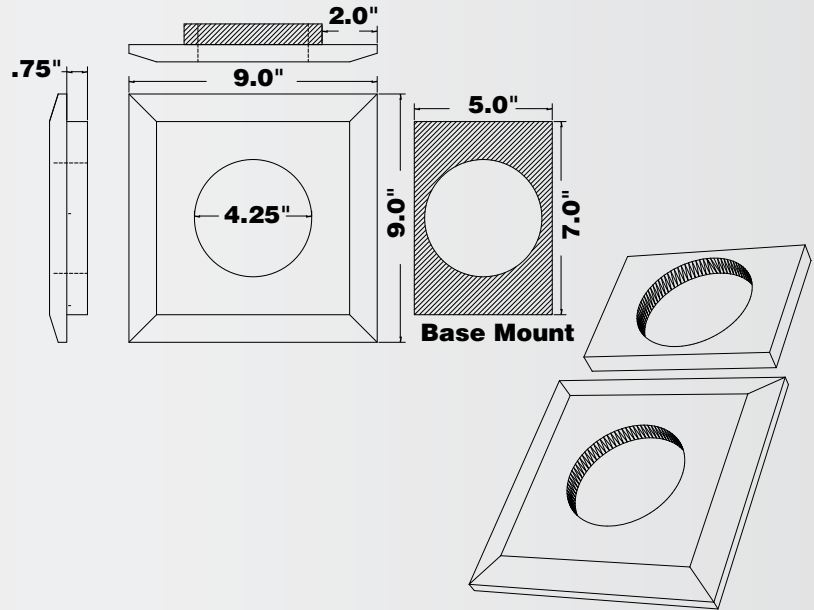
BLOCKS & MOUNTS

VENT/LIGHT MOUNT 9" X 9"

1 PER BAG

AVAILABLE COLORS

- Latte CELBDVLAT
- Carriage Red CELBDVCRR
- Willow CELBDVWLW
- Shale CELBDVSHL
- Oceana CELBDVOCE
- Chocolate CELBDVCHC
- Frost CELBDVFST
- Pottery CELBDVPOT
- River Rock CELBDVRRK
- Grove CELBDVGRV
- Coastline CELBDVCOA
- Chestnut CELBDVCHT
- Castle Stone CELBDVCST
- Wrought Iron CELBDVWRI
- Pine Brook CELBDVSPBK
- Unpainted CELBDVUNP

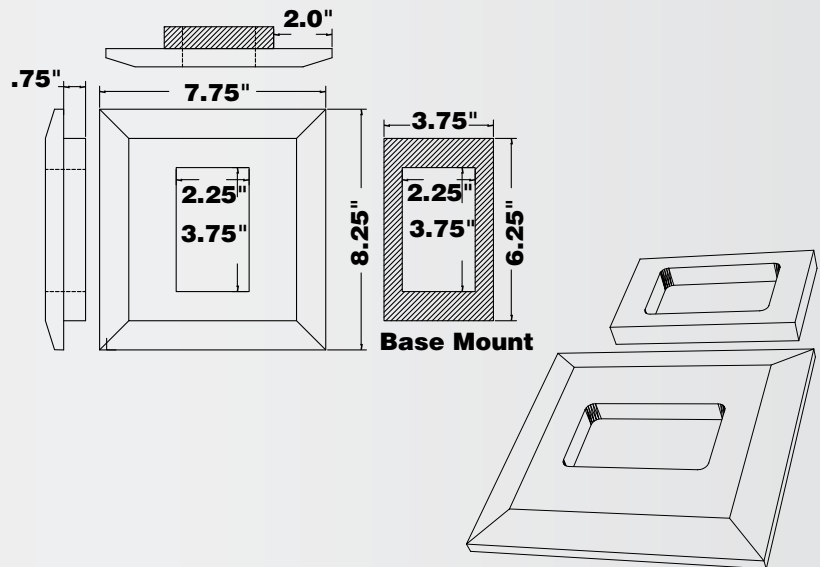


ELECTRICAL MOUNT 8-1/4" X 7-3/4"

1 PER BAG

AVAILABLE COLORS

- Latte CELEMLLAT
- Carriage Red CELELMCCR
- Willow CELELMWLW
- Shale CELELMSHL
- Oceana CELELMOCE
- Chocolate CELELMCHC
- Frost CELELMFST
- Pottery CELELMPOT
- River Rock CELELMRRK
- Grove CELELMGRV
- Coastline CELELMCOA
- Chestnut CELELMCHT
- Castle Stone CELELMCST
- Wrought Iron CELELMWRI
- Pine Brook CELELMPBK
- Unpainted CELELMUNP



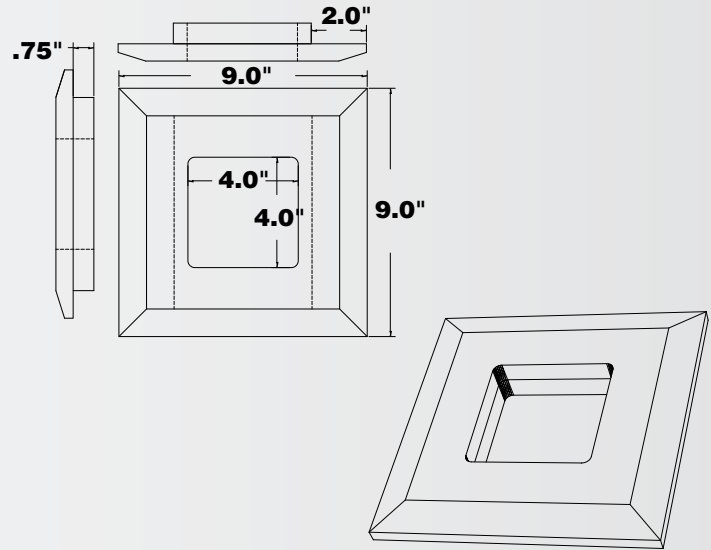
Celect Cellular Composite Siding

BLOCKS & MOUNTS

RECESSED MOUNT 9" X 9"
1 PER BAG

AVAILABLE COLORS

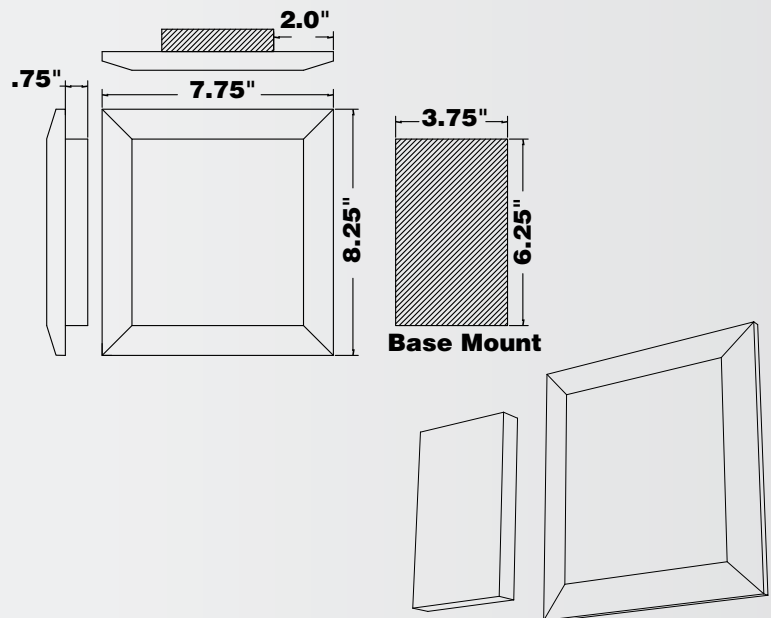
- Latte CELRCMLAT
- Carriage Red CELRCMCCR
- Willow CELRCMWLW
- Shale CELRCMSHL
- Oceana CELRCMOCE
- Chocolate CELRCMCHC
- Frost CELRCMFST
- Pottery CELRCMPOT
- River Rock CELRCMRRK
- Grove CELRCMGRV
- Coastline CELRCMCOA
- Chestnut CELRCMCHT
- Castle Stone CELRCMCST
- Wrought Iron CELRCMWRI
- Pine Brook CELRCMPBK
- Unpainted CELRCMUNP



UNIVERSAL MOUNT 8-1/4" X 7-3/4"
1 PER BAG

AVAILABLE COLORS

- Latte CELSTMLAT
- Carriage Red CELSTMCCR
- Willow CELSTMWLW
- Shale CELSTMSHL
- Oceana CELSTMOCCE
- Chocolate CELSTMCHC
- Frost CELSTMFST
- Pottery CELSTMPOT
- River Rock CELSTMRRK
- Grove CELSTMGRV
- Coastline CELSTMCOA
- Chestnut CELSTMCHT
- Castle Stone CELSTMCSST
- Wrought Iron CELSTMWRI
- Pine Brook CELSTM PBK
- Unpainted CELSTMUNP



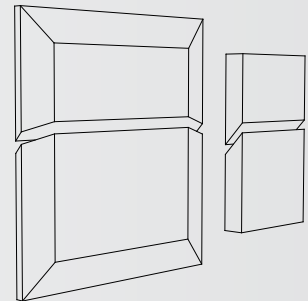
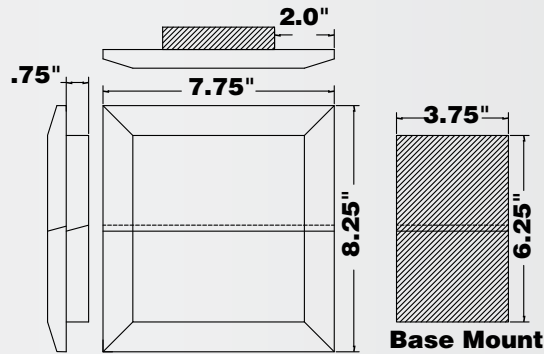
Celec Cellular Composite Siding

BLOCKS & MOUNTS

SPLIT MOUNT 8-1/4" X 7-3/4"

AVAILABLE COLORS

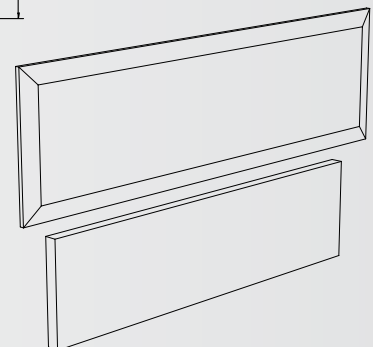
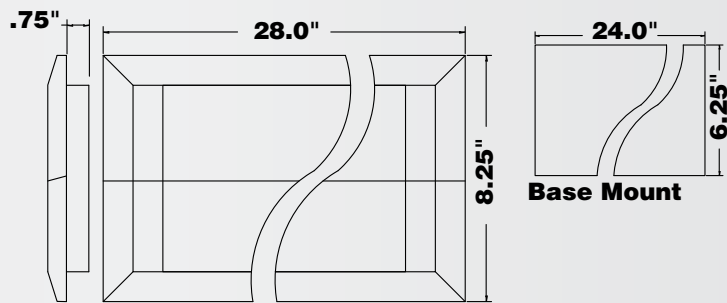
- Latte CELSPMLAT
- Carriage Red CELSPMCRR
- Willow CELSPMWLW
- Shale CELSPMSHL
- Oceana CELSPMOCE
- Chocolate CELSPMCHC
- Frost CELSPMFST
- Pottery CELSPMPOT
- River Rock CELSPMRRK
- Grove CELSPMGRV
- Coastline CELSPMCOA
- Chestnut CELSPMCHT
- Castle Stone CELSPMCST
- Wrought Iron CELSPMWRI
- Pine Brook CELSPMPBK
- Unpainted CELSPMUNP



GANG BLOCK 28" X 8-1/4"

AVAILABLE COLORS

- Latte CELGGBLAT
- Carriage Red CELGGBCCR
- Willow CELGGBWLW
- Shale CELGGBSHL
- Oceana CELGGBOCE
- Chocolate CELGGBCHC
- Frost CELGGBFST
- Pottery CELGGBPOT
- River Rock CELGGBRRK
- Grove CELGGBGRV
- Coastline CELGGBCOA
- Chestnut CELGGBCHT
- Castle Stone CELGGBCAST
- Wrought Iron CELGGBWRI
- Pine Brook CELGGBPBK
- Unpainted CELGGBUNP



Celect Cellular Composite Siding

ACCESSORIES

TOUCH-UP BOTTLE

Sold Individually

AVAILABLE COLORS

- Latte CELTUBOTTLELAT
- Carriage Red CELTUBOTTLECCR
- Willow CELTUBOTTLEWLW
- Shale CELTUBOTTLESHL
- Oceana CELTUBOTTLEOCE
- Chocolate CELTUBOTTLECHC
- Frost CELTUBOTTLEFST
- Pottery CELTUBOTTLEPOT
- River Rock CELTUBOTTLERRK
- Grove CELTUBOTTLEGRV
- Coastline CELTUBOTTLECOA
- Chestnut CELTUBOTTLECHT
- Castle Stone CELTUBOTTLECAST
- Wrought Iron CELTUBOTTLEWRI
- Pine Brook CELTUBOTTLEPBK



TOUCH-UP MARKER

2 Kynar Aquatec Pens in Blister Pack

AVAILABLE COLORS

- Latte CELTUKITLAT
- Carriage Red CELTUKITCCR
- Willow CELTUKITWLW
- Shale CELTUKITSHL
- Oceana CELTUKITOCE
- Chocolate CELTUKITCHC
- Frost CELTUKITFST
- Pottery CELTUKITPOT
- River Rock CELTUKITRRK
- Grove CELTUKITGRV
- Coastline CELTUKITCOA
- Chestnut CELTUKITCHT
- Castle Stone CELTUKITCST
- Wrought Iron CELTUKITWRI
- Pine Brook CELTUKITPBK



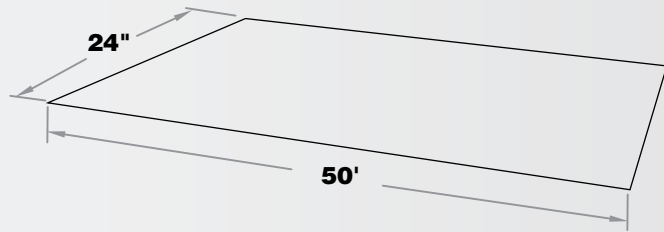
Celect Cellular Composite Siding

ACCESSORIES

ALUMINUM COIL 50' X 24" ROLL
GAUGE: .021"

AVAILABLE COLORS

Latte CLCOIL50STDLAT
Carriage Red CLCOIL50STDCCR
Willow CLCOIL50STDWLW
Shale CLCOIL50STDSHL
Oceana CLCOIL50STDOCE
Chocolate CLCOIL50STDCHC
Frost CLCOIL50STDFST
Pottery CLCOIL50STD POT
River Rock CLCOIL50STDRRK
Grove CLCOIL50STDGRV
Coastline CLCOIL50STDCOA
Chestnut CLCOIL50STDCHT
Castle Stone CLCOIL50STDCST
Wrought Iron CLCOIL50STDWRI
Pine Brook CLCOIL50STDPBK



Kynar Aquatec Celect Paint
1 Quart

AVAILABLE COLORS

Latte CELQTLAT
Carriage Red CELQTCCR
Willow CELQTLW
Shale CELQTSHL
Oceana CELQTOCE
Chocolate CELQTCHC
Frost CELQTFST
Pottery CELQTPOT
River Rock CELQTRRK
Grove CELQTGRV
Coastline CELQTCOA
Chestnut CELQTCHT
Castle Stone CELQTCST
Wrought Iron CELQTWRI
Pine Brook CELQTPBK



Celect Cellular Composite Siding

FREQUENTLY ASKED QUESTIONS

1. What is Celect siding and is it a new product?

- Celect was introduced in 2011. Celect is an innovative, low maintenance product engineered to have the curb appeal of wood, with minimal maintenance. Celect is made of cellular PVC. Cellular PVC absorbs virtually no water.
- Celect has patented interlocking joints and a gravity lock design. With Celect, you can create a virtually seamless, cohesive look without the need for caulk.

2. Is it true that the Celect siding and trim system do not require caulk?

- That is correct, unlike other sidings, the Celect siding system, both siding and trim, are designed in a way that they do not require caulk – saving significant maintenance time and cost.
- Celect is a ventilated cladding system, that allows air behind the cladding to allow moisture in the wall to dry—keeping your walls healthy.

3. Can I caulk around Celect?

- Caulking can be used for aesthetic reasons around window and door trim, but should be used in moderation, and never around expansion gaps (pockets or tops of corners), where the space is needed for the material to move with temperature changes (expansion and contraction).

4. What if I want a custom color?

- Celect Canvas is the unpainted version of our innovative Celect product that gives you the ability to select your color.
- Painting with a good quality, acrylic latex, vinyl safe paint will protect the product to maintain color consistency for many years. There are several paint manufacturers that will warranty their coating products on cellular PVC. See our Guide to Prefinish Celect Canvas. Our warranty does not cover painted finishes or coating applied to the product by the original purchaser or any third party.

5. Can I paint over the existing coating?

- Painting over the existing coating is not recommended because doing so will void the paint warranty. We offer touch up paint made from the same paint as the original coating for any nicks or scratches that you may wish to touch up.

6. Why do you offer end-coat paint?

- End coat paint is only for aesthetic reasons and is only needed if you have “end cuts” of trim exposed after installation, such as on a traditional header with butt-joints and sill trims with exposed cells.

7. Can I wash Celect Siding? Celect Trim?

- A garden hose and a clean soft cotton cloth will allow you to clean difficult spots without scratching the finish in most cases.
- Mild detergents can be used, examples include: Dawn™, and Murphy’s Oil Soap™. We suggest using a standard spray bottle, followed by washing with a garden hose.
- Please see the installation handbook for additional cleaning information and maintenance.

Celect Cellular Composite Siding

FREQUENTLY ASKED QUESTIONS

INSTALLATION

8. What fasteners are recommended for Celect trim?

- Celect Cortex or Pro-plug screws and plugs are recommended to secure finished Celect trim pieces and create a hidden look.
- If other trim fasteners are used, they must be fasteners intended for exterior use with PVC trim, such as stainless steel or hot dipped galvanize.
- See the installation handbook for details of suitable fasteners, as well as a full list of information and instructions.
- For “padding out” trim, fasteners should be long enough to penetrate the solid wood substrate a minimum of 1-1/2".
- The Celect Installation Handbook has a full list of information and instructions.

9. Will the trim plugs have the same coating as the trim & siding?

- Yes, Celect plugs will, other plugs will not.

10. Can I use rabbeted 5/4" PVC trim boards produced by other manufacturers for trim with Celect siding?

- No, we do not recommend this. In many cases, other manufacturer’s pocketed trim and corners are not sufficiently deep for long courses of Celect siding.
- Our Celect trim products are specifically designed to work with Celect siding, providing proper pocket depths for all installations.
- Our Celect corners are tapered at the “front edge” of the pocket to avoid rubbing the paint as the siding expands and contracts.

11. Can I use other PVC trim for window surrounds and corners?

- Celect trim is specifically designed to work with the Celect siding system, and ensures that the proper pockets exist.
- Other trim may or may not work, depending on the specific product.

12. How much does the siding and trim expand and contract?

- All materials move, and so does PVC. With that in mind, we have designed the Celect siding and trim system to manage expected expansion and contraction.
- Expansion/contraction is driven by length and temperature of product. Illustration below is 100°F change in panel temperature (not air temp).
 - Siding Panels are not, and must not be, hard nailed.
 - Remember to only center pin each course of siding, not each panel.
 - 12' panel will move – 7/16" total (7/32" per end)
 - 36' run will move – 1-1/4" total (7/8" per end)
 - 60' run will move – 2" total (1" per end)
 - Trimboards are a bit different since they are hard nailed/screwed. This constrains the expansion and contraction to about 1/2 of the amount of unconstrained boards.
 - Consult the installation handbook for trim installation details and managing expansion and contraction.

Celect Cellular Composite Siding

FREQUENTLY ASKED QUESTIONS

13. What fasteners are recommended for Celect siding?

- Regular hot dipped galvanized or stainless roofing nails are recommended for most installations of Celect siding.
- Do not use staples, small brads, rink shanks, or wire nails.
- Fastening recommendations (type and spacings) can be found in our product certification and evaluation reports.

14. Can I use pressure treated furring strips?

- PVC furring strips are recommended, and available.
- Pressure treated wood is not recommended because it does not make wood water resistant, only rot resistant.

15. Why aren't there pre-furred corners available?

- Celect's two-step process allows the installer to determine the distance between the panel and furring, which allows them to work around issues while ensuring a beautiful finished look.

16. Can I install Celect siding over existing siding?

- You may be able to install Celect siding over existing siding. Any loose boards must be resecured.
- A flat surface is required for Celect siding: you may need to install furring strips (or wall leveling siding underlayment) to create a flat surface.

17. Is flashing and water resistive barrier required?

- Flashing and water resistive barriers are building code requirements. We do provide some details of their use, but always follow your local code requirements.

18. What is the definition of "center pin" when referring to a long run of siding?

- A center pin is the center of the siding course (not a panel).
- Using a center pin fixes the center of each course of siding and ensures the movement of the course will be distributed to both "pockets" of the trim.

Celect Cellular Composite Siding

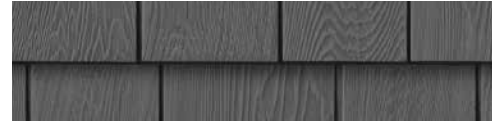
FREQUENTLY ASKED QUESTIONS

19. Why do I need to pack-out my Window & Door trim with 3/4" Bump-outs?

- Even though most of the siding runs between windows are short, the runs that also go over or under the window are often very long—therefore a 2" pocket is required around all windows to accommodate the proper expansion and contraction of the siding
- 3/4" furring is the simplest way to create the 2" deep pocket required for the Celect panels.
- This process also allows you to put up the furring as you side the house. You can then make the window surround frames on the ground and simply screw them in once the siding is up.

20. Can I use Celect if my wall is exceptionally long, for example 70'?

- Yes, you can, by using a feature board. A feature board (also referred to as an expansion joint) should be used for siding courses longer than 60'. Please see our installation handbook for additional information.



BOUNDLESS™

Where some see boundaries, Westlake Royal Building Products™ sees opportunities to drive innovation, elevate design and deliver solutions that redefine the industry. Our comprehensive selection of products, materials and widely expressive color palettes and textures meet any home demand—inside and out, East Coast to West. Giving everyone the tools and technology to transform spaces into anything they want. This is our mission. And it's Boundless™.



SIDING & ACCESSORIES

TRIM & MOULDINGS

ROOFING

STONE

WINDOWS

OUTDOOR LIVING

