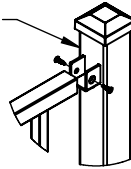
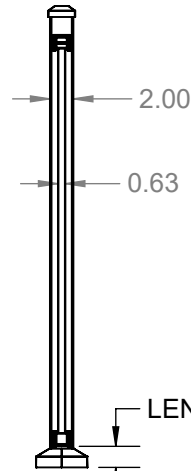


EXCALIBUR LEVEL AND STAIR RAIL DETAILS

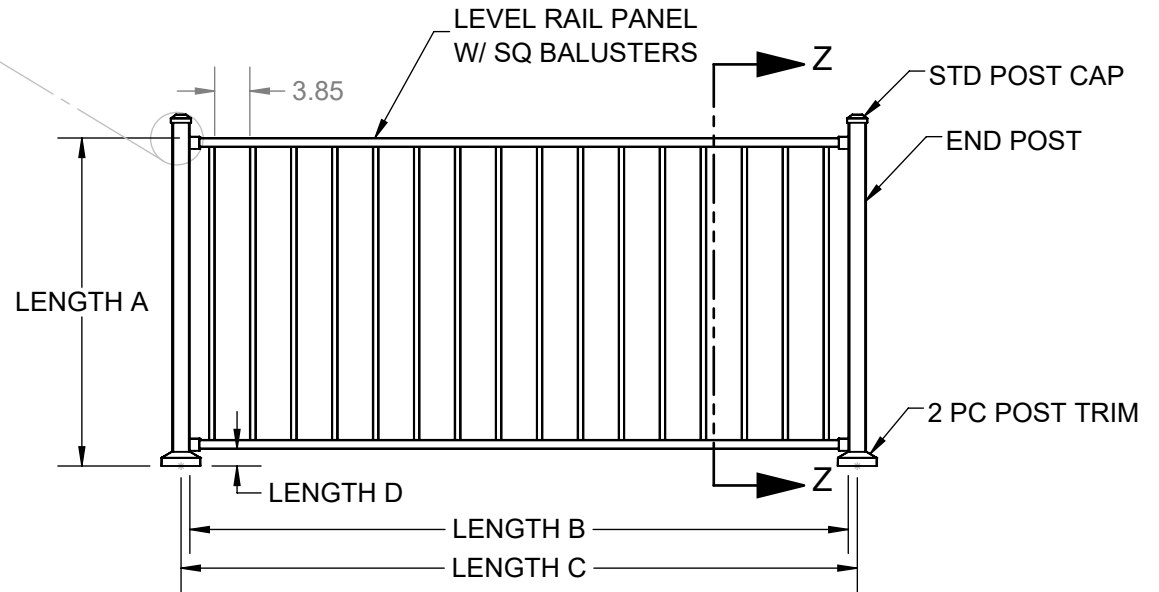
END POST W/
WELDED BRACKETS



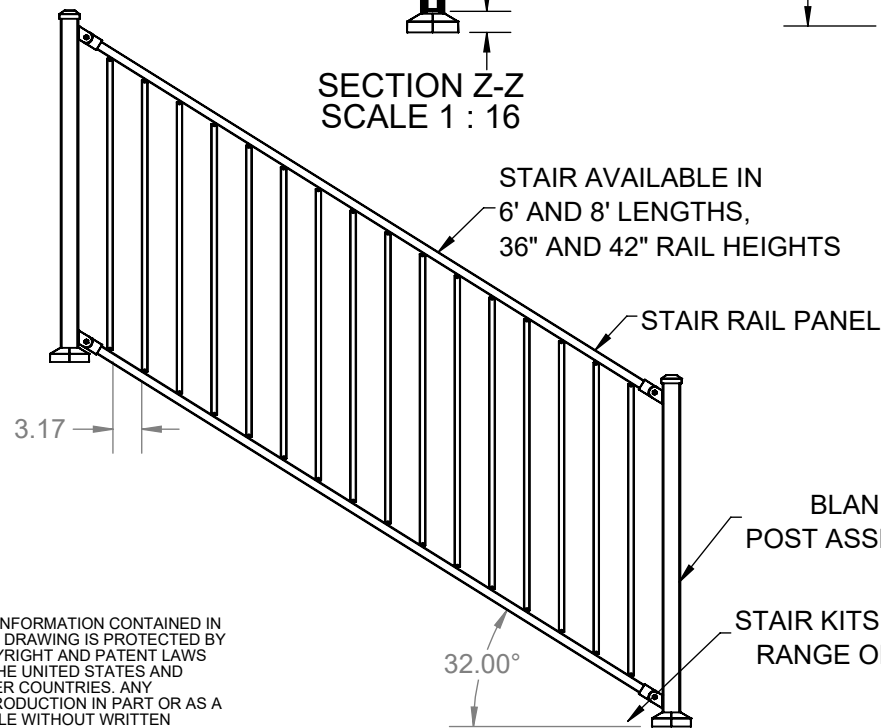
NOTE:
POST INCLUDES BRKT
COVERS TO HIDE
FASTENERS.



SECTION Z-Z
SCALE 1 : 16



NOTE:
(A) FINISHED RAIL HEIGHT = 36", 42"
(B) PANEL LENGTH = 71.75", 95.75", 119.75"
(C) MAX SPANS = 98.5"X42 IBC, 98.5"X36 IRC
(D) BOTTOM SPACE = 1.75", 3.75"

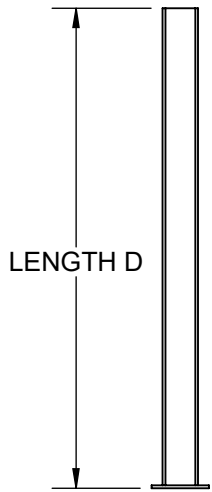


STAIR AVAILABLE IN
6' AND 8' LENGTHS,
36" AND 42" RAIL HEIGHTS

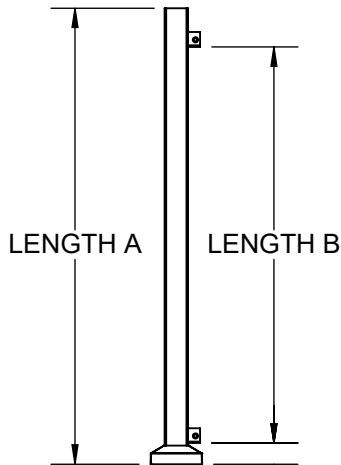
THE INFORMATION CONTAINED IN
THIS DRAWING IS PROTECTED BY
COPYRIGHT AND PATENT LAWS
OF THE UNITED STATES AND
OTHER COUNTRIES. ANY
REPRODUCTION IN PART OR AS A
WHOLE WITHOUT WRITTEN
PERMISSION IS PROHIBITED.

		BARRETTE Outdoor Living	
DRAWN: RP	DATE: 02/21/2018	APPROVED:	
DESCRIPTION: EXCALIBUR LEVEL AND STAIR RAIL			
SHEET 1 OF 3	REVISION	PART NUMBER	
SCALE 1:16		N/A	
WEIGHT: N/A			

EXCALIBUR COMPONENT DETAILS



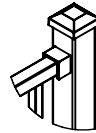
3" POST



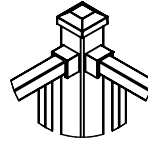
2" POST

NOTE:
 A = 36", 38", 42", 44", 48"
 B = 34", 38.5", 40"
 C = 2", 3.75"
 D = 40", 46"

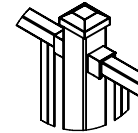
END POST



CORNER POST



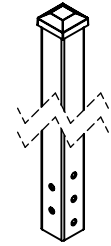
LINE POST



BLANK POST

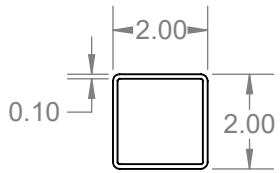


FASCIA POST

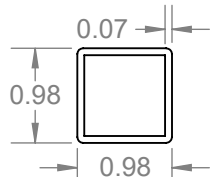


NOTE: INCLUDES BRACKETS (EXCEPT BLANK AND FASCIA POST), POST TOP, BRACKET COVERS, TRIM RING, VINYL SHIMS.

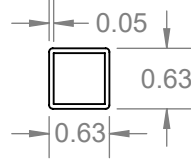
EXCALIBUR PROFILES



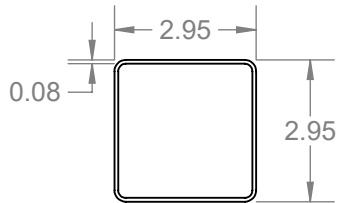
2" POST



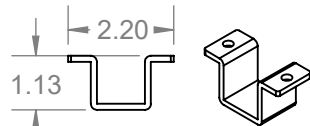
TOP / BTM RAIL



SQ BALUSTER



3" POST



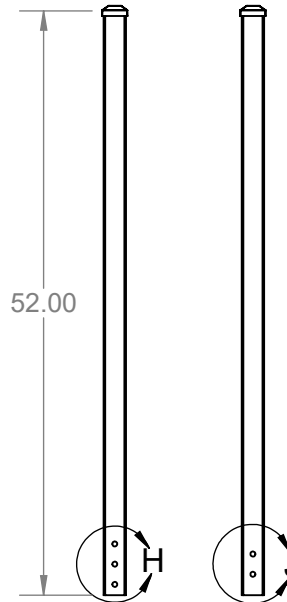
FLUSH MOUNT BRKT

NOTE:
 1. FLUSH BRKT USED TO ATTACH WOOD/DECK BOARD. FASTENERS ARE INCLUDED.

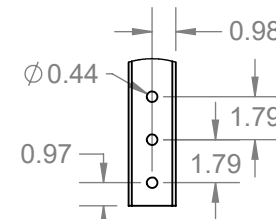
THE INFORMATION CONTAINED IN THIS DRAWING IS PROTECTED BY COPYRIGHT AND PATENT LAWS OF THE UNITED STATES AND OTHER COUNTRIES. ANY REPRODUCTION IN PART OR AS A WHOLE WITHOUT WRITTEN PERMISSION IS PROHIBITED.

FRONT VIEW

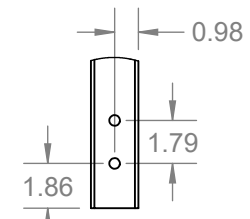
SIDE VIEW



FASCIA POST



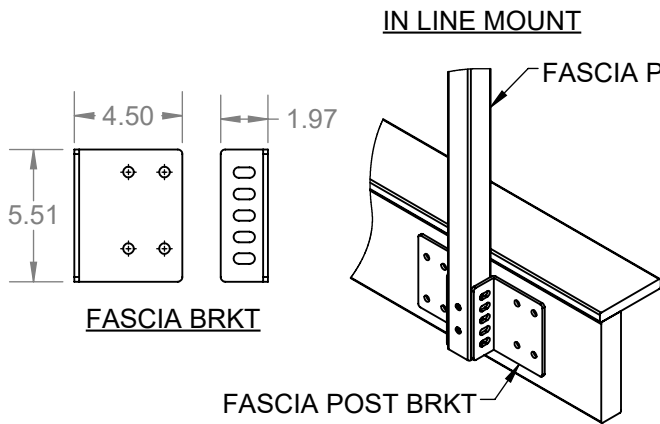
DETAIL H
SCALE 1 : 8



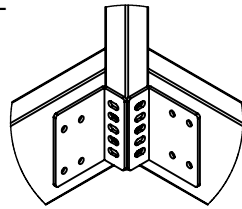
DETAIL J
SCALE 1 : 8

		BARRETTE Outdoor Living	
DRAWN: RP	DATE: 02/21/2018	APPROVED:	
EXCALIBUR COMPONENT DETAILS			
SHEET 2 OF 3	REVISION	PART NUMBER	
SCALE 1:16	0	N/A	
WEIGHT: N/A			

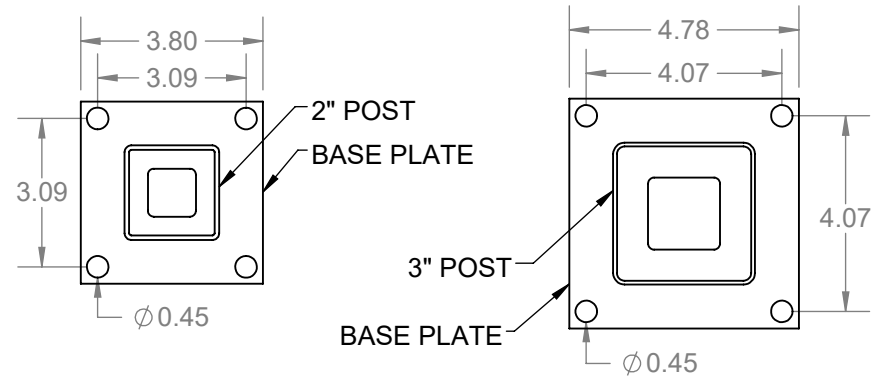
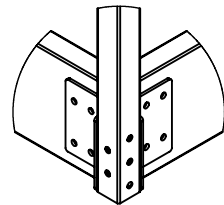
EXCALIBUR POST MOUNT CONNECTIONS



INSIDIE CORNER MOUNT

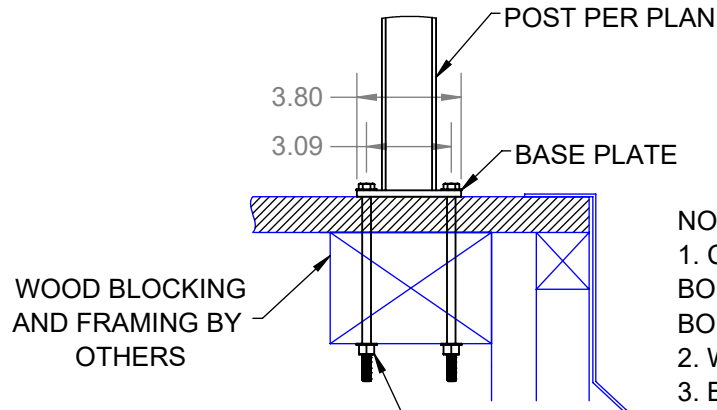


OUTSIDE CORNER MOUNT



NOTE:
4. BRKTS ARE NOT INCLUDED WITH FASCIA POST. THEY WILL NEED TO BOUGHT AND INSTALLED SEPERATELY.

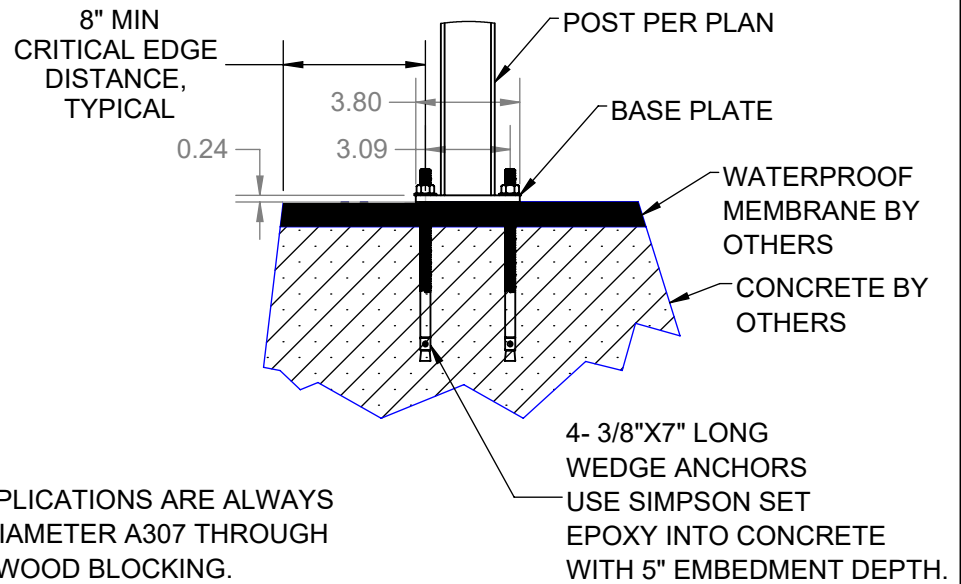
POST BASE CONNECTION INTO WOOD W/ THRU BOLTS



NOTE:
1. COMMERCIAL APPLICATIONS ARE ALWAYS BOLTED, USE 3/8" DIAMETER A307 THROUGH BOLTS INTO SOLID WOOD BLOCKING.
2. WOOD BLOCKING BY OTHERS.
3. BLOCKING MUST BE DESIGNED TO WITHSTAND PROPER LOADING.

USE 3/8" DIAMATER THROUGH BOLTS (MINIMUM LENGTH 5") INTO WOOD MEMBERS WITH MINIMUM EMBEDMENT DEPTH OF 4" INTO SOLID WOOD.

POST BASE CONNECTION INTO CONCRETE W/ WEDGE ANCHORS



THE INFORMATION CONTAINED IN THIS DRAWING IS PROTECTED BY COPYRIGHT AND PATENT LAWS OF THE UNITED STATES AND OTHER COUNTRIES. ANY REPRODUCTION IN PART OR AS A WHOLE WITHOUT WRITTEN PERMISSION IS PROHIBITED.

		BARRETTE Outdoor Living	
DRAWN: RP	DATE: 02/21/2018	APPROVED:	
DESCRIPTION: EXCALIBUR POST MOUNT DETAIL			
SHEET 3 OF 3	REVISION	PART NUMBER	
SCALE 1:16		N/A	
WEIGHT: N/A			