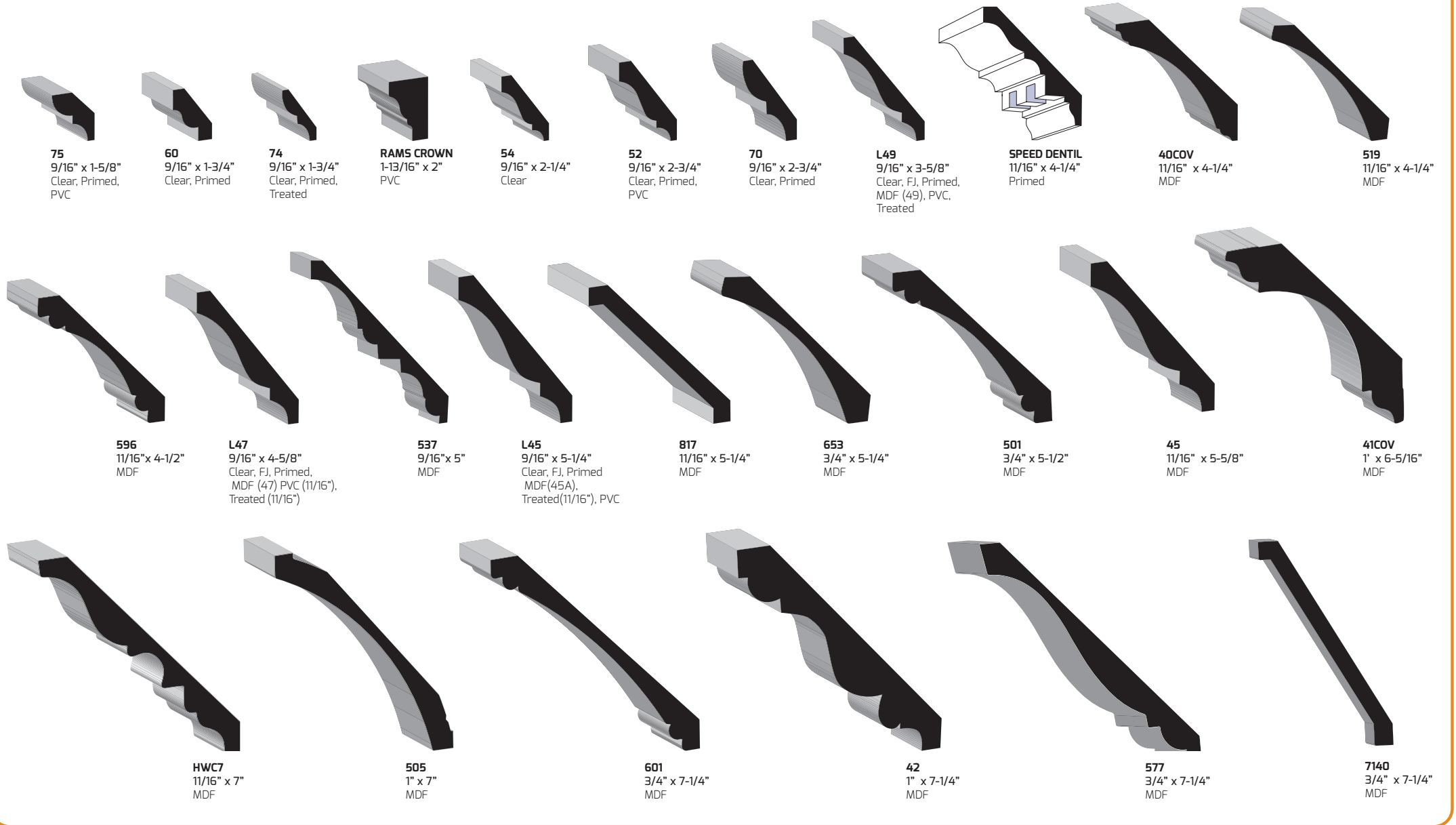
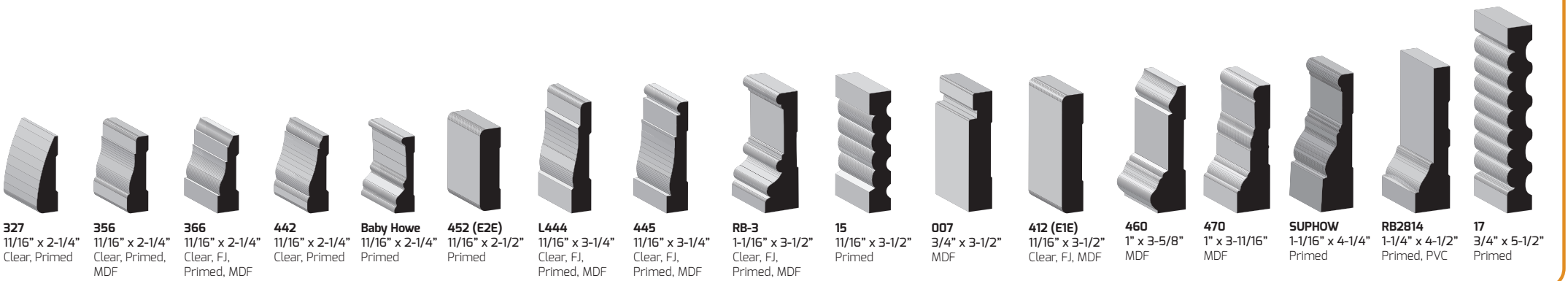


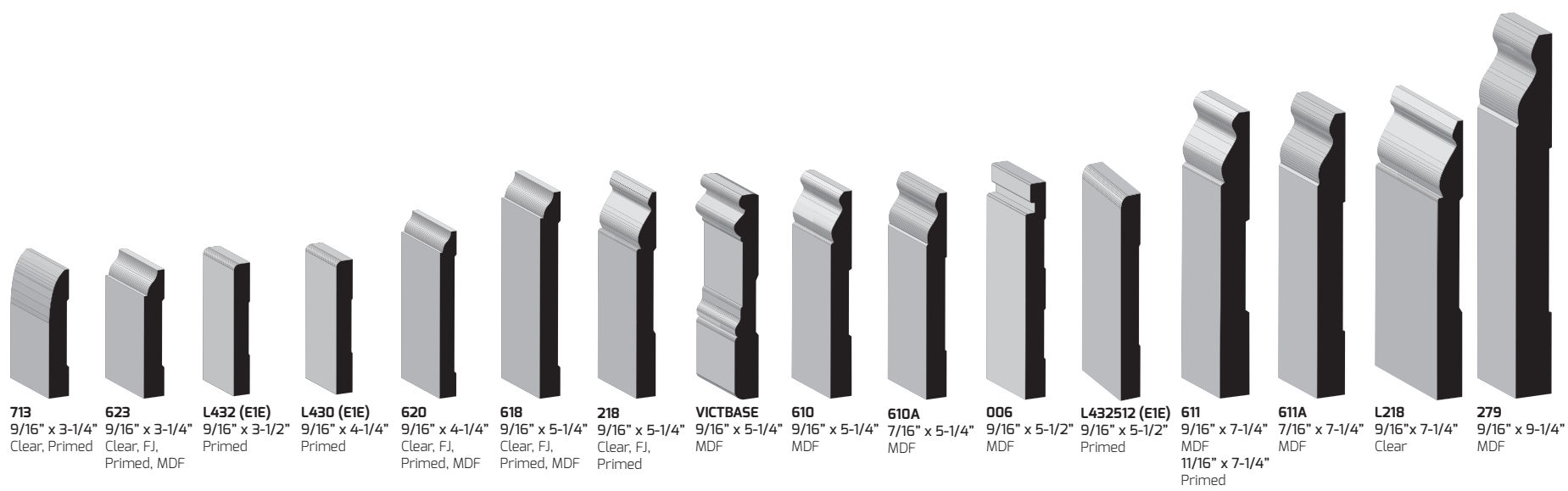
CROWN/BED



CASING



BASE

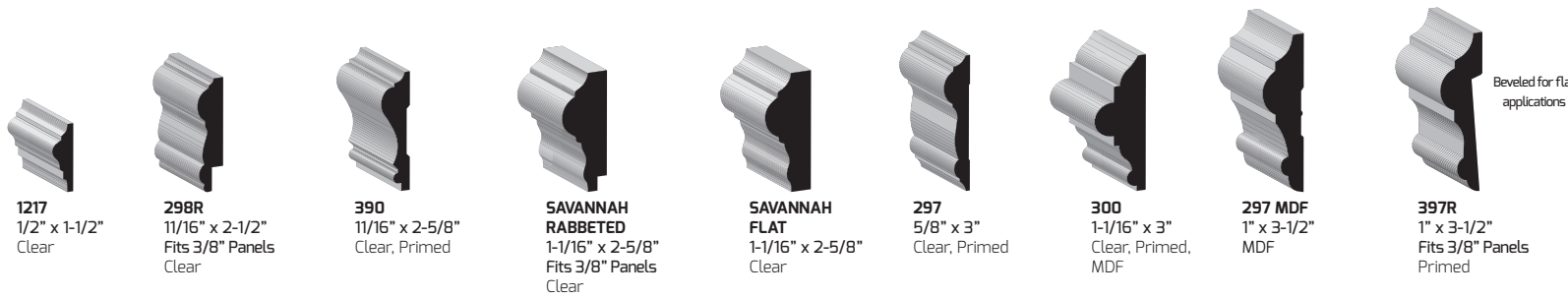


MULLION

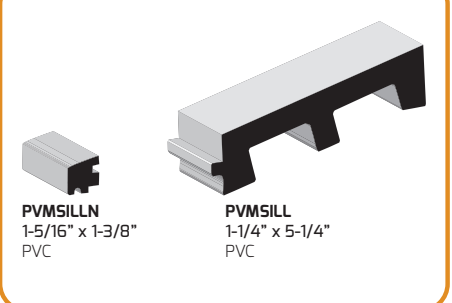


IMAGES REPRESENT STANDARD PROFILES. ACTUAL PROFILES MAY VARY SLIGHTLY.

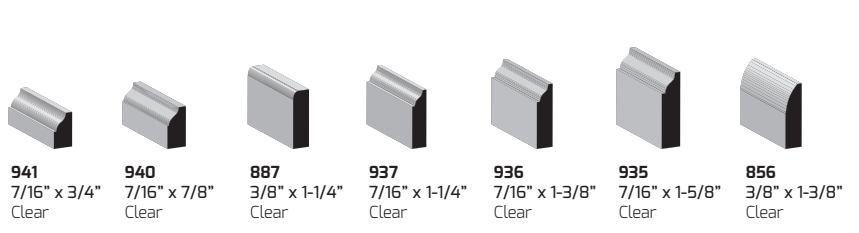
CHAIR RAIL



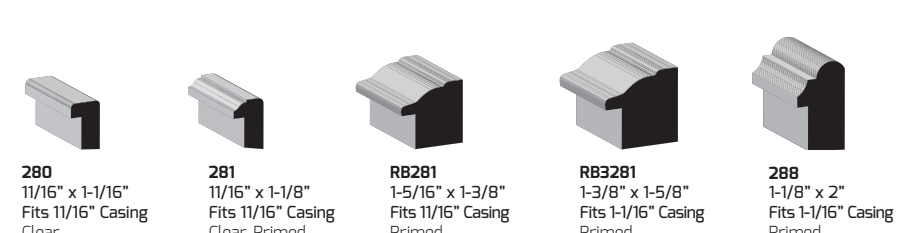
SILL



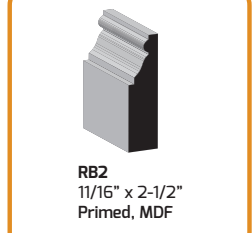
STOP



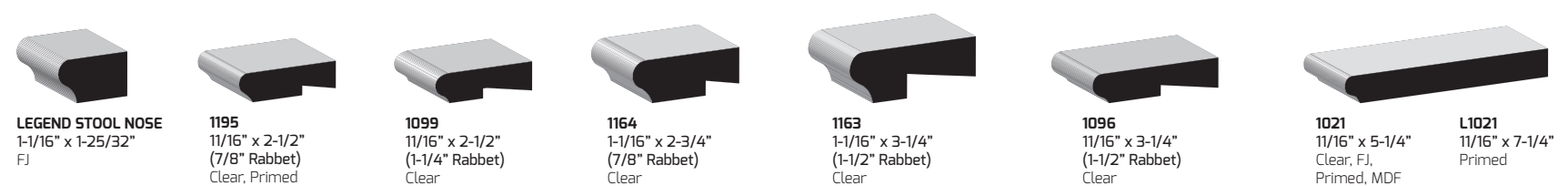
BACK BAND



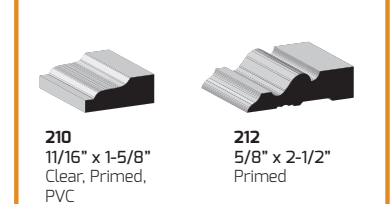
APRON



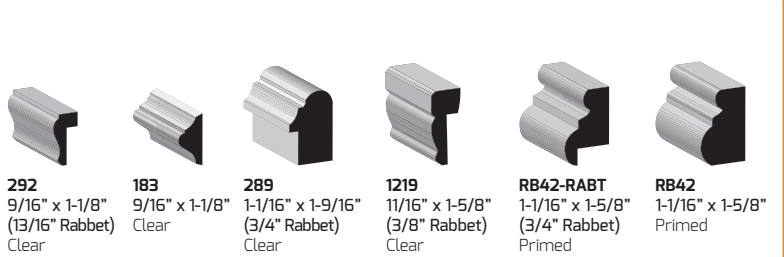
STOOL



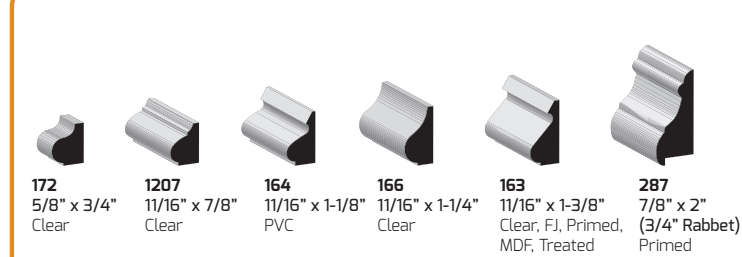
SHINGLE



PANEL/CAP



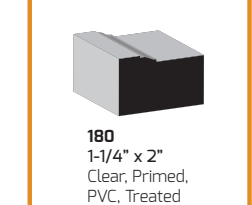
BASE CAP



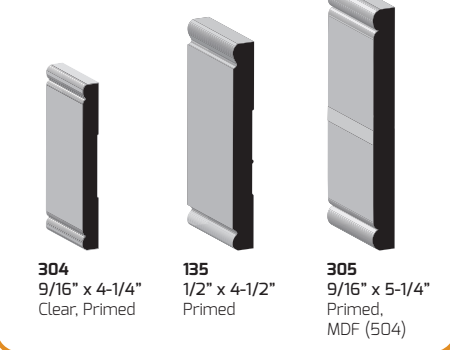
SCREEN



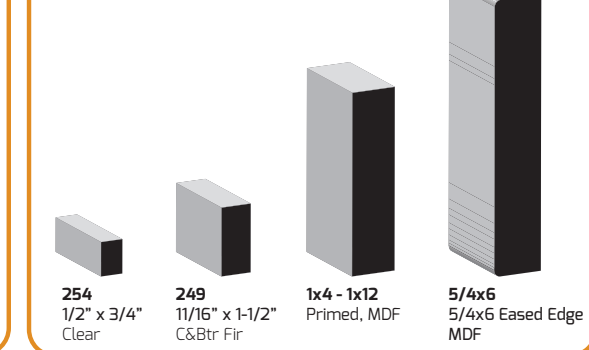
BRICK MOULD



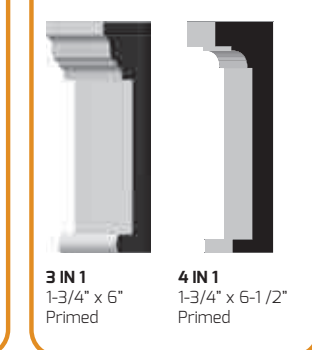
CHAIR RAIL BACKER



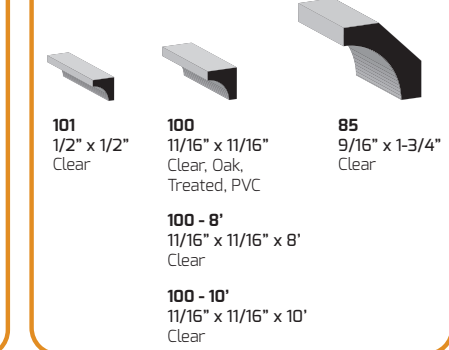
S4S BOARDS & S4S STOCK



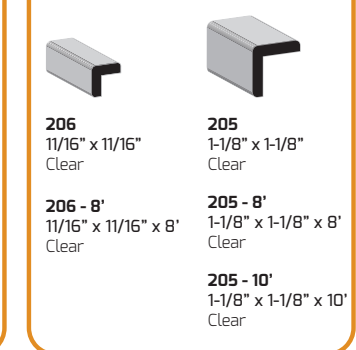
CRAFTSMAN HEADER



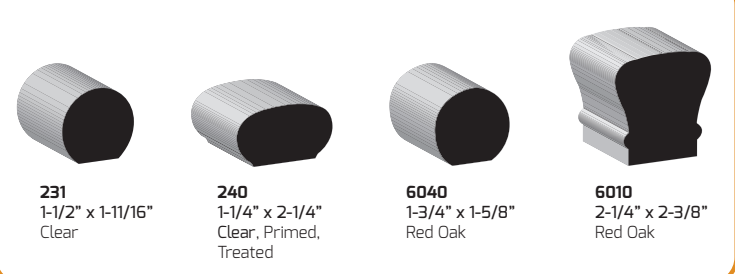
COVE



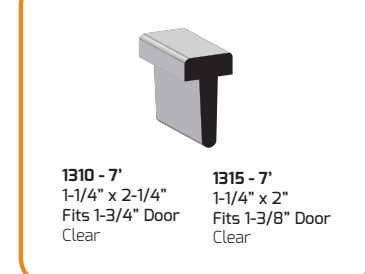
CORNER



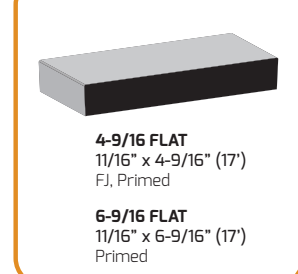
HAND RAIL



T-ASTRAGAL



JAMBS



LATTICE



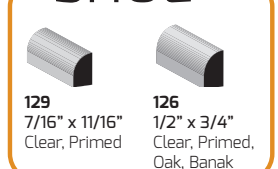
LANDING TREAD



CHAMFER



SHOE



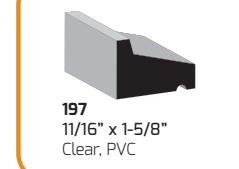
JOINT MOULD



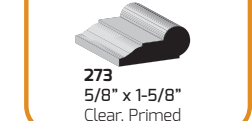
ROUNDS



DRIP CAP



PICTURE MOULD



IMAGES REPRESENT STANDARD PROFILES. ACTUAL PROFILES MAY VARY SLIGHTLY.